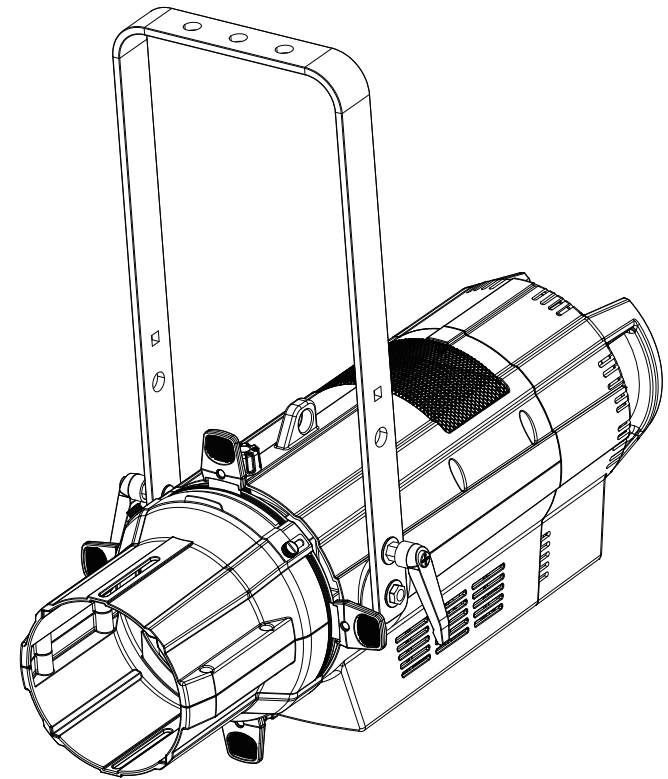


EK

***eprofile* VW 500**

LED PROFILE SPOT - VARIABLE WHITE

EK



USER MANUAL

EN

CONTENTS

SAFETY	03
INTRODUCTION	04
PHOTOMETRICS	05
DIMENSION	06
OVERVIEW	07
OPERATION	08
MENU	09
DMX CHART	11
MAINTENANCE	19

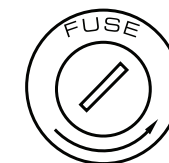
MAINTENANCE

MAINTENANCE AND CLEANING THE UNIT

- Make sure the area below the installation place is free from unwanted persons during setup.
- Switch off the unit, unplug the main cable and wait until the unit has cooled down.
- All screws used for installing the device and any of its parts should be tightly fastened and should not be corroded.
- Housings, fixations and installation spots (ceiling, trusses, suspensions) should be totally free from any deformation.
- The main cables must be in impeccable condition and should be replaced immediately even when a small problem is detected.
- It is recommended to clean the front at regular intervals, from impurities caused by dust, smoke, or other particles to ensure that the light is radiated at maximum brightness. For cleaning, disconnect the main plug from the socket. Use a soft, clean cloth moistened with a mild detergent. Then carefully wipe the part dry. For cleaning other housing parts use only a soft, clean cloth. Never use a liquid, it might penetrate the unit and cause damage to it.

FUSE REPLACEMENT

1. Disconnect this product from the power outlet.
2. Using a screwdriver, unscrew the fuse holder cap from the housing.
3. Remove the blown fuse and replace with a good fuse of the same type and rating (250V/T 6.3 A).
4. Screw the fuse holder cap back in place and reconnect power.



TROUBLESHOOTING

Problems	Possible causes	Checks and remedies
Fixture does not light up	<ul style="list-style-type: none"> • No mains supply • Dimmer fader set to 0 • Faulty LED • Faulty LED board 	<ul style="list-style-type: none"> • Check the power supply voltage • Increase the value of the dimmer channels • Replace the LED board • Replace the LED board
General low light intensity	<ul style="list-style-type: none"> • Dirty lens assembly • Misaligned lens assembly 	<ul style="list-style-type: none"> • Clean the fixture regularly • Install lens assembly properly
Fixture does not power up	<ul style="list-style-type: none"> • No power • Loose or damaged power cord • Faulty internal power supply 	<ul style="list-style-type: none"> • Check for power on power outlet • Check power cord • Replace internal power supply

Contact an authorized service center in case of technical problems or not reported in the table can not be resolved by the procedure given in the table.

DMX CHARTS

15	Color Temperature	048-055	3400K - 3500K	
		055-062	3500K - 3600K	
		062-069	3600K - 3700K	
		069-076	3700K - 3800K	
		076-083	3800K - 3900K	
		083-090	3900K - 4000K	
		090-097	4000K - 4100K	
		097-104	4100K - 4200K	
		104-111	4200K - 4300K	
		111-118	4300K - 4400K	
		118-125	4400K - 4500K	
		125-132	4500K - 4600K	
		132-139	4600K - 4700K	
		139-146	4700K - 4800K	
		146-153	4800K - 4900K	
		153-160	4900K - 5000K	
		160-167	5000K - 5100K	
		167-174	5100K - 5200K	
		174-181	5200K - 5300K	
		181-188	5300K - 5400K	
		188-195	5400K - 5500K	
		195-202	5500K - 5600K	
		202-209	5600K - 5700K	
		209-216	5700K - 6000K	
216-223	6000K - 6500K			
223-230	6500K - 7000K			
230-237	7000K - 7500K			
237-244	7500K - 8000K			
244-255	8000K			
16	HUE	000-000	0	
		001-255	-25~25	
17	Control (Hold 3 Seconds)	000-007	No Function	
		008-015	Dimmer Reset	
		016-023	Red Shift: ON	
		024-031	Red Shift: OFF	
		032-039	Dimmer: S-Curve	
		040-047	Dimmer: Linear	
		048-055	Dimmer: Square	
		056-063	Dimmer: Inverse Square	
		064-071	Dimmer Mode: Off	
		072-079	Dimmer Mode: 1	
		080-087	Dimmer Mode: 2	
		088-095	Dimmer Mode: 3	
		096-103	Fan Auto	
		104-111	Fan On	
		112-119	Fan Off	
		120-127	Fan Silent	
		128-255	Future Use (No Function)	

HSV	Function	Value	Percent/Setting	Remark
1	Hue	000-255	0~100%	
2	Saturation	000-255	0~100%	
3	Value	000-255	0~100%	

SAFETY



WARNING! Before carrying out any operations with the unit, carefully read this instruction manual and keep it with care for future reference, it contains important information about the installation, user and maintenance of the unit.



General instruction

- The products referred to in this manual conform to the European Community Directives and are therefore marked with CE.
- The unit is supplied with hazardous network voltage (230V~). Leave serving to skilled personnel only. Never make any modifications on the unit not described in this instruction manual, otherwise you will risk an electric shock.
- Connection must be made to power supply system fitted with efficient earthing (Class I appliance according to standard EN60598-1). It is moreover, recommended to protect the supply lines of the units from indirect contact and/or shorting to earth by using appropriately sized residual current devices.
- The connection to the main network of electric distribution must be carried out by a qualified electrical installer. Check that the main frequency and voltage correspond to those for which the unit is designed as given on the electrical data label.
- This unit is not for home use, only professional applications.
- Never use the fixture under the following conditions:
 - in places subject to vibrations or bumps;
 - in places with a temperature of over 40 °C.
- Make certain that no inflammable liquids, water or metal objects enter the fixture.
- Do not dismantle or modify the fixture.
- All work must always be carried out by qualified technical personnel. Contact the nearest sales point for an inspection or contact the manufacturer directly.
- If the unit is to be put out of operation definitively, take it to a local recycling plant for a disposal which is not harmful to the environment.



Warnings and installation precautions

- If this device will be operated in any way different to the one described in this manual, it may suffer damage and the guarantee becomes void. Furthermore, any operation may lead to dangers like short circuit, burns, electric shock, etc.
- Before starting any maintenance work or cleaning the fixture, cut off power from the main supply.
- Always additionally secure the fixture with the safety rope. When carrying out any work, always comply scrupulously with all the regulations (particularly regarding safety) currently in force in the country in which the fixture's being used.
- Install the fixture in a well ventilated place.
- Keep any inflammable materials at a safe distance from the fixture.
- Shields, lenses or ultraviolet screens shall be changed if they have become damaged to such an extent that their effectiveness is impaired.
- The lamp (LED) shall be changed if it has become damaged or thermally deformed.
- Never look directly at the light beam. Please note that fast changes in lighting, e.g. flashing light, may trigger epileptic seizures in photosensitive persons or persons with epilepsy.
- Do not touch the product's housing when operating because it may be very hot.

INTRODUCTION

FEATURES

- 500W RGBAL LED with exquisite color rendering (up to CRI 92)
- Advanced optical system to create a super high output of 15000 LUX @ 3 meters / 19°
- Variable white color temp presets from 2800K ~ 8000K
- Independent control of discrete source colors(red,green,blue,amber,lime)
- Old-school red shift effect to produce the feel of a tungsten lighting
- Flawless 16-bit dimming with selection of four dimming curves and dimming modes
- Extremely flat field projection and consistent color temperature throughout the dimming curve
- Flicker free output with selectable PWM frequencies for worry-free video
- Quiet operation suitable for studio use (two selectable fan modes)
- Available fixed lens tubes: 14° / 19° / 26° / 36° / 50° (not included)
- Available zoom lens tubes: 15° - 30° / 25° - 50° (not included)

SPECIFICATIONS

Light Source:	500W RGBAL LED
CRI:	Ra≥95, R9≥92
Color Temperature:	2800K ~ 8000K
Tilt Movement:	180°(manual)
CTO:	2800K ~ 8000k
Framing Shutter:	Manual
Zoom:	15° ~ 30° / 25° ~ 50° (manual with optional barrel)
Strobe:	0 ~ 30Hz
LED Frequency:	600Hz/1200Hz/2000Hz/4000Hz/6000Hz/25KHz
Dimmer:	0~100% linear dimming with 4 dimming curves and 4 dimming modes
Mains:	100 ~ 240VAC, 50 ~ 60Hz
Consumption:	330W@230V 335W@120V
Fuse:	T6.3A, 250V
Power Connections:	PowerCON IN/OUT, linking up to 6pcs @230V, 3pcs@120V
Data Connections:	3pin or 5pin XLR DMX connectors, linking up to 32pcs
Control:	DMX/RDM
DMX Channels:	1Ch/4Ch/5Ch/7Ch/11Ch/13Ch/13Ch2/17Ch/HSV
Onboard Menu:	Yes
Ambient:	-10℃ ~ 45℃
IP-rated:	IP20
Cooling:	Heat pipe with noiseless fan
Housing:	Matt black
Accessories:	Diffusion Filter
Optional Barrel:	14° / 19° / 26° / 36° / 50° / 15°~30° / 25°~50°

DMX CHARTS

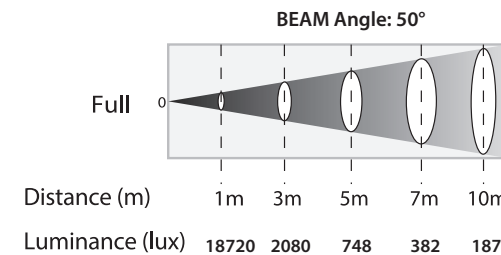
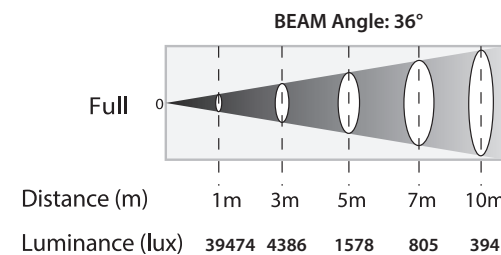
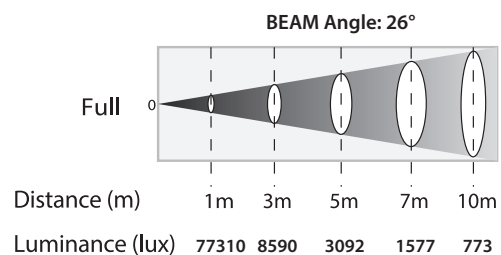
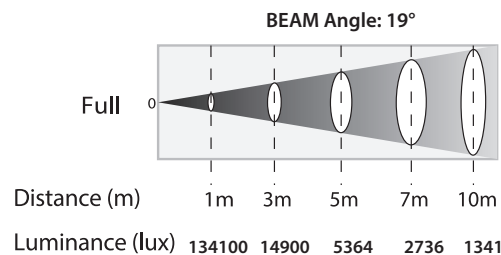
17CH	Function	Value	Percent/Setting	Remark
1	Dimmer	000-255	0~100%	
2	Dimmer Fine	000-255	0~100%	
3	Red	000-255	0~100%	
4	Red Fine	000-255	0~100%	
5	Green	000-255	0~100%	
6	Green Fine	000-255	0~100%	
7	Blue	000-255	0~100%	
8	Blue Fine	000-255	0~100%	
9	Amber	000-255	0~100%	
10	Amber Fine	000-255	0~100%	
11	Lime	000-255	0~100%	
12	Lime Fine	000-255	0~100%	
13	Strobe	000-010 011-255	No function Strobe slow to fast	
14	Color Macro	000-005 006-013 014-021 022-028 029-035 036-043 044-051 052-059 060-067 068-075 076-083 084-091 092-099 100-107 108-115 116-121 122-130 131-138 139-146 147-154 155-162 163-170 171-178 179-186 187-194 195-202 203-210 211-218 219-226 227-234 235-242 243-250 251-255	No Function C3050-Md Yellow C3040-Lt Yellow C3240-Amb Yellow C2340-VLt Amber C2040-Lt Amber C2050-Md Amber C2060-Dk Amber C1050-Lt Red C1080-Md Red C1020-NC Pink C1030-Md Pink C1630-Dk Pink C1250-Md Red Amber C1060-Dk Red Amber C1650-Magenta C6170-Dk Magenta C6020-Lt Lavender C5030-Lt Blue C5020-VLt Blue C5430-Lt Blue2 C5070-Blue C5050-Md Blue C5060-Dk Blue C5690-Indigo C5080-Vdk Blue C5081-Vdk Blue2 C4370-Yel Green C4070-Green C4550-Turquoise C4560-Aqua C4570-Blue Green No Function	
		000-005 006-013 013-020 020-027 027-034 034-041 041-048	No Function 2800K - 2900K 2900K - 3000K 3000K - 3100K 3100K - 3200K 3200K - 3300K 3300K - 3400K	

DMX CHARTS

		195-202 202-209 209-216 216-223 223-230 230-237 237-244 244-255	5500K - 5600K 5600K - 5700K 5700K - 6000K 6000K - 6500K 6500K - 7000K 7000K - 7500K 7500K - 8000K 8000K	
10	HUE	000-000 001-255	0 -25~25	
11	Auto programs	000-010 011-060 061-110 111-160 161-210 211-255	No Function Auto Program 1 Auto Program 2 Auto Program 3 Auto Program 4 Auto Program 5 (Auto Program1-4)	
12	Auto speed	000-255	Auto speed slow to fast	
13	Control (Hold 3 Seconds)	000-007 008-015 016-023 024-031 032-039 040-047 048-055 056-063 064-071 072-079 080-087 088-095 096-103 104-111 112-119 120-127 128-255	No Function Dimmer Reset Red Shift: ON Red Shift: OFF Dimmer: S-Curve Dimmer: Linear Dimmer: Square Dimmer: Inverse Square Dimmer Mode: Off Dimmer Mode: 1 Dimmer Mode: 2 Dimmer Mode: 3 Fan Auto Fan On Fan Off Fan Silent Future Use (No Function)	

13CH2	Function	Value	Percent/Setting	Remark
1	Dimmer	000-255	0~100%	
2	Dimmer Fine	000-255	0~100%	
3	Red	000-255	0~100%	
4	Red Fine	000-255	0~100%	
5	Green	000-255	0~100%	
6	Green Fine	000-255	0~100%	
7	Blue	000-255	0~100%	
8	Blue Fine	000-255	0~100%	
9	Amber	000-255	0~100%	
10	Amber Fine	000-255	0~100%	
11	Lime	000-255	0~100%	
12	Lime Fine	000-255	0~100%	
13	Strobe	000-010 011-255	No function Strobe slow to fast	

PHOTOMETRICS



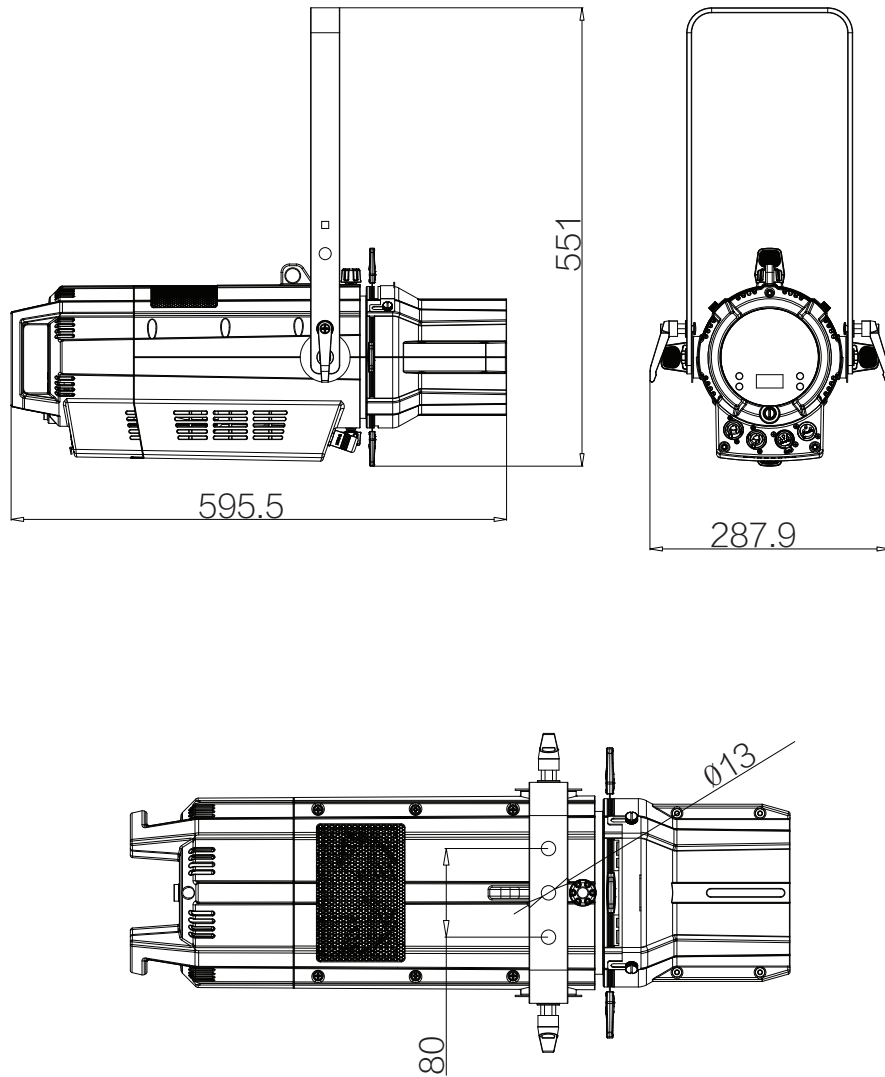
meters colors	1	3	5	7	10
R	25560	2840	1022	521	255
G	37710	4190	1508	769	377
B	21240	2360	850	433	212
A	52380	5820	2095	1068	523
L	106200	11800	4248	2167	1062
ALL	134100	14900	5364	2736	1341

meters colors	1	3	5	7	10
R	18270	2030	730	372	182
G	21510	2390	860	438	215
B	11970	1330	478	244	119
A	32400	3600	1296	661	324
L	60210	6690	2408	1228	602
ALL	77310	8590	3092	1577	773

meters colors	1	3	5	7	10
R	8010	890	320	163	80
G	12060	1340	482	246	120
B	6912	768	276	141	69
A	18540	2060	741	378	185
L	34830	3870	1393	710	348
ALL	39474	4386	1578	805	394

meters colors	1	3	5	7	10
R	3402	378	136	69	34
G	4986	554	199	101	49
B	2889	321	115	58	28
A	7875	875	315	160	78
L	14490	1610	579	295	144
ALL	18720	2080	748	382	187

DIMENSIONS



DMX CHARTS

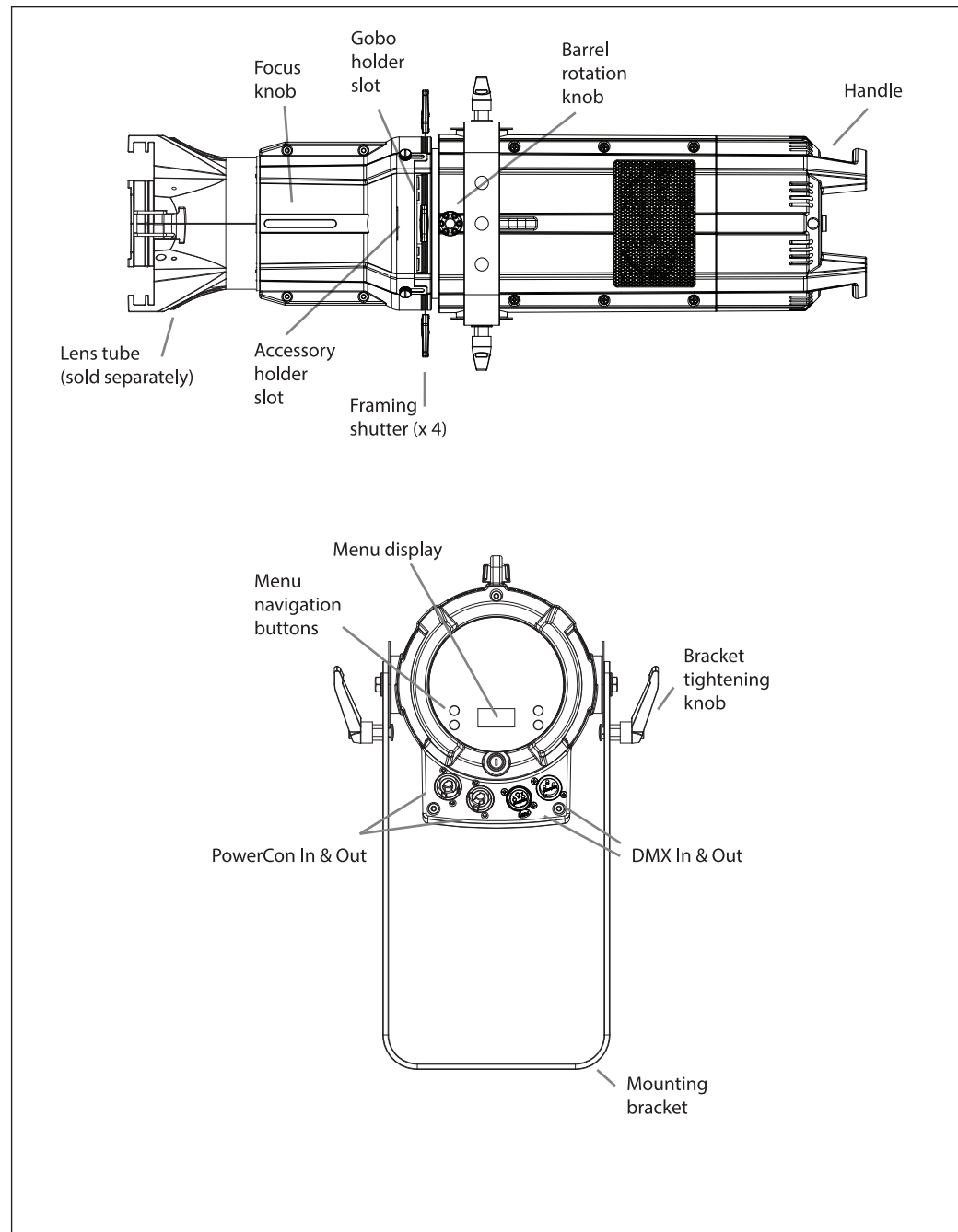
8	Color Macro	076-083	C1020-NC Pink
		084-091	C1030-Md Pink
		092-099	C1630-Dk Pink
		100-107	C1250-Md Red Amber
		108-115	C1060-Dk Red Amber
		116-121	C1650-Magenta
		122-130	C6170-Dk Magenta
		131-138	C6020-Lt Lavender
		139-146	C5030-Lt Blue
		147-154	C5020-VLt Blue
		155-162	C5430-Lt Blue2
		163-170	C5070-Blue
		171-178	C5050-Md Blue
		179-186	C5060-Dk Blue
		187-194	C5690-Indigo
		195-202	C5080-Vdk Blue
		203-210	C5081-Vdk Blue2
		211-218	C4370-Yel Green
		219-226	C4070-Green
		227-234	C4550-Turquoise
235-242	C4560-Aqua		
243-250	C4570-Blue Green		
251-255	No Function		
9	Color Temperature	000-005	No Function
		006-013	2800K - 2900K
		013-020	2900K - 3000K
		020-027	3000K - 3100K
		027-034	3100K - 3200K
		034-041	3200K - 3300K
		041-048	3300K - 3400K
		048-055	3400K - 3500K
		055-062	3500K - 3600K
		062-069	3600K - 3700K
		069-076	3700K - 3800K
		076-083	3800K - 3900K
		083-090	3900K - 4000K
		090-097	4000K - 4100K
		097-104	4100K - 4200K
		104-111	4200K - 4300K
		111-118	4300K - 4400K
		118-125	4400K - 4500K
		125-132	4500K - 4600K
		132-139	4600K - 4700K
		139-146	4700K - 4800K
		146-153	4800K - 4900K
		153-160	4900K - 5000K
		160-167	5000K - 5100K
		167-174	5100K - 5200K
		174-181	5200K - 5300K
		181-188	5300K - 5400K
		188-195	5400K - 5500K

DMX CHARTS

10	Color Temperature	069-076	3700K - 3800K
		076-083	3800K - 3900K
		083-090	3900K - 4000K
		090-097	4000K - 4100K
		097-104	4100K - 4200K
		104-111	4200K - 4300K
		111-118	4300K - 4400K
		118-125	4400K - 4500K
		125-132	4500K - 4600K
		132-139	4600K - 4700K
		139-146	4700K - 4800K
		146-153	4800K - 4900K
		153-160	4900K - 5000K
		160-167	5000K - 5100K
		167-174	5100K - 5200K
		174-181	5200K - 5300K
		181-188	5300K - 5400K
		188-195	5400K - 5500K
195-202	5500K - 5600K		
202-209	5600K - 5700K		
209-216	5700K - 6000K		
216-223	6000K - 6500K		
223-230	6500K - 7000K		
230-237	7000K - 7500K		
237-244	7500K - 8000K		
244-255	8000K		
11	HUE	000-000	0
		001-255	-25~25

13CH1	Function	Value	Percent/Setting	Remark
1	Dimmer	000-255	0~100%	
2	Red	000-255	0~100%	
3	Green	000-255	0~100%	
4	Blue	000-255	0~100%	
5	Amber	000-255	0~100%	
6	Lime	000-255	0~100%	
7	Strobe	000-010	No function	
		011-255	Strobe slow to fast	
		000-005	No Function	
		006-013	C3050-Md Yellow	
		014-021	C3040-Lt Yellow	
		022-028	C3240-Amb Yellow	
		029-035	C2340-VLt Amber	
		036-043	C2040-Lt Amber	
		044-051	C2050-Md Amber	
		052-059	C2060-Dk Amber	
		060-067	C1050-Lt Red	
		068-075	C1080-Md Red	

OVERVIEW



OPERATION

DISPLAY MENU FUNCTIONS

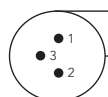
- DMX Address: Assign DMX starting address to the EPROFILE VW
- DMX Mode: Select either 1-, 4-, 5-, 7-, 11-, 13.1-, 13.2-, 17-, HSV-channel mode
- Color Temperature: Select from 36 different white temperatures (2800K ~ 8000K)
- Hue Adjust -25% / +25 % submenu
- Manual Color Mixer: Manually set RRBGCAL values to create custom colors
- Master/Slave: Set the EPROFILE VW to function either as a master or slave when linking multiple units
- Dimmer Mode: Select the preferred dimming curve (1 = fast, 2 = medium, 3 = slow)
- White Balance: Adjust RRBGCAL values related to set white balance
- LED Frequency: Select the preferred frequency (for achieving flicker-free video playback)
- Fan Mode: Select either variable speed (Auto) or always on (High)
- Back Light: Set display to darken after 10, 20 or 30 seconds, or set to always on (On)
- Information: View operating hours, software version and device ID
- Factory Reset: Reset to default values

DMX FUNCTIONS

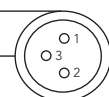
- 4-Channel Mode: Master dimming from 0~100%, Color Macros, Color temperature presets, Hue
- 5-Channel Mode: Individual Red, Green, Blue, Amber, Lime channel control
- 7-Channel Mode: Individual Red, Green, Blue, Amber, Lime channel control
 - + Master Dimmer
 - + Strobe function
- 11-Channel Mode: Adds Color Macros + Color temperature presets + Hue + 16-bit(fine) master
- 13-Channel Mode: 13Ch1: Adds Auto Programs with variable speed selection + Control function
13Ch2: Individual color dimming control + 16-bit(fine) master + Strobe function
- 17-Channel Mode: Adds Color Macros, Color temperature presets, Hue
- HSV-Channel Mode: Hue, Saturation, Value channel control

DMX CABLE PIN-OUTS and TERMINATION

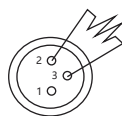
DMX - INPUT
XLR plug



DMX - OUTPUT
XLR socket



Pin1 : GND - Shield
Pin2 : - Negative
Pin3 : + Positive



Depending on the length of the DMX cable run, or other factors, it may be advisable to install a terminator at the last fixture in the run.

The illustration below shows the correct placement of a 120Ω 0.25W resistor in a terminator, as well as the standard DMX signal pin-outs.

DMX CHARTS

11CH	Function	Value	Percent/Setting	Remark
1	Dimmer	000-255	0~100%	
2	Dimmer Fine	000-255	0~100%	
3	Red	000-255	0~100%	
4	Green	000-255	0~100%	
5	Blue	000-255	0~100%	
6	Amber	000-255	0~100%	
7	Lime	000-255	0~100%	
8	Strobe	000-010 011-255	No function Strobe slow to fast	
9	Color Macro	000-005 006-013 014-021 022-028 029-035 036-043 044-051 052-059 060-067 068-075 076-083 084-091 092-099 100-107 108-115 116-121 122-130 131-138 139-146 147-154 155-162 163-170 171-178 179-186 187-194 195-202 203-210 211-218 219-226 227-234 235-242 243-250 251-255	No Function C3050-Md Yellow C3040-Lt Yellow C3240-Amb Yellow C2340-VLt Amber C2040-Lt Amber C2050-Md Amber C2060-Dk Amber C1050-Lt Red C1080-Md Red C1020-NC Pink C1030-Md Pink C1630-Dk Pink C1250-Md Red Amber C1060-Dk Red Amber C1650-Magenta C6170-Dk Magenta C6020-Lt Lavender C5030-Lt Blue C5020-VLt Blue C5430-Lt Blue2 C5070-Blue C5050-Md Blue C5060-Dk Blue C5690-Indigo C5080-Vdk Blue C5081-Vdk Blue2 C4370-Yel Green C4070-Green C4550-Turquoise C4560-Aqua C4570-Blue Green No Function	
		000-005 006-013 013-020 020-027 027-034 034-041 041-048 048-055 055-062 062-069	No Function 2800K - 2900K 2900K - 3000K 3000K - 3100K 3100K - 3200K 3200K - 3300K 3300K - 3400K 3400K - 3500K 3500K - 3600K 3600K - 3700K	

DMX CHARTS

3	Color Temperature	076-083	3800K - 3900K	
		083-090	3900K - 4000K	
		090-097	4000K - 4100K	
		097-104	4100K - 4200K	
		104-111	4200K - 4300K	
		111-118	4300K - 4400K	
		118-125	4400K - 4500K	
		125-132	4500K - 4600K	
		132-139	4600K - 4700K	
		139-146	4700K - 4800K	
		146-153	4800K - 4900K	
		153-160	4900K - 5000K	
		160-167	5000K - 5100K	
		167-174	5100K - 5200K	
		174-181	5200K - 5300K	
		181-188	5300K - 5400K	
		188-195	5400K - 5500K	
		195-202	5500K - 5600K	
		202-209	5600K - 5700K	
		209-216	5700K - 6000K	
216-223	6000K - 6500K			
223-230	6500K - 7000K			
230-237	7000K - 7500K			
237-244	7500K - 8000K			
244-255	8000K			
4	HUE	000-000	0	
		001-255	-25~25	

5CH	Function	Value	Percent/Setting	Remark
1	Red	000-255	0~100%	
2	Green	000-255	0~100%	
3	Blue	000-255	0~100%	
4	Amber	000-255	0~100%	
5	Lime	000-255	0~100%	

7CH	Function	Value	Percent/Setting	Remark
1	Dimmer	000-255	0~100%	
2	Red	000-255	0~100%	
3	Green	000-255	0~100%	
4	Blue	000-255	0~100%	
5	Amber	000-255	0~100%	
6	Lime	000-255	0~100%	
7	Strobe	000-010 011-255	NO Function Strobe Slow to Fast	

MENU FUNCTIONS

Menu(-)							
NO.	Main Menu	Menu level 2	Menu level 3	Menu level4	Remark		
1	DMX Address	<001>			Default: 001		
2	DMX Channel	1Ch 4Ch 5Ch 7Ch 11Ch 13Ch1 13Ch2 17Ch HSV	Virtual Color Wheel	Default: 13CH1		
			Color Temperature			
			Manual Color Mixer			
3	Virtual Color Wheel	Virtual Color Wheel	C3050-Md Yellow	Dimmer<0-255>	Default: C3050-Md Yellow, Dimmer=255		
			C3040-Lt Yellow				
			C3240-Amb Yellow				
			C2340-VLt Amber				
			C2040-Lt Amber				
			C2050-Md Amber				
			C2060-Dk Amber				
			C1050-Lt Red				
			C1080-Md Red				
			C1020-NC Pink				
			C1030-Md Pink				
			C1630-Dk Pink				
			C1250-Md Red Amber				
			C1060-Dk Red Amber				
			C1650-Magenta				
			C6170-Dk Magenta				
			C6020-Lt Lavender				
			C5030-Lt Blue				
			C5020-VLt Blue				
			C5430-Lt Blue2				
			C5070-Blue				
			C5050-Md Blue				
			C5060-Dk Blue				
			C5690-Indigo				
			C5080-Vdk Blue				
			C5081-Vdk Blue2				
			C4370-Yel Green				
			C4070-Green				
			C4550-Turquoise				
			C4560-Aqua				
			C4570-Blue Green				
			2800K			Dimmer<0-255> Hue<-25~25>	Default: 3200K, Dimmer=255
			2900K				
			3000K				
			3100K				
3200K							
.....							
.....							
5300K							
5400K							
5500K							
5600K							

MENU FUNCTIONS

			5700K		
			6000K		
			6500K		
			7000K		
			7500K		
			8000K		
		Manual Color Mixer	Red	<0-255>	Default: RGBAL=255
			Green	<0-255>	
			Blue	<0-255>	
			Amber	<0-255>	
			Lime	<0-255>	
4	Auto Show	Auto 1	<1-100>	Default: Auto 1;Speed:100	
		Auto 2	<1-100>		
		Auto 3	<1-100>		
		Auto 4	<1-100>		
		Auto 5	<1-100>		
5	Red Shift	On		Default: Off	
		Off			
6	Master/Slave	Master		Default: Slave	
		Slave			
7	Dimmer Curve	S Curve		Default: Linear	
		Linear			
		Square			
		Inverse Square			
8	Dimmer Mode	Off		Default: Off	
		Dimmer 1			
		Dimmer 2			
		Dimmer 3			
9	White Balance	Manual	Red	<125-255>	Default: off
			Green	<125-255>	
			Blue	<125-255>	
			Amber	<125-255>	
			Lime	<125-255>	
10	LED Frequency	600Hz		Default: 1200Hz	
		1200 Hz			
		2000 Hz			
		4000 Hz			
		6000 Hz			
		25KHz			
11	Fan Mode	Auto Speed		Default: Auto Speed	
		On			
		Off			
		Silent			
12	Back Light	10S		Default: 2Min	
		30S			
		2Min			
		Always On			
13	Information	Fixture Hours	<65000H>		
		LED Hours	<65000H>		
		Version	<V1.0>		
		UID:	0X030F08A0****		
14	Factory Reset	No		Default: No	

DMX CHARTS

DMX Channel(-)				
1CH	Function	Value	Percent/Setting	Remark
1	Dimmer	000-255	0~100%	

DMX Channel(-)				
4CH	Function	Value	Percent/Setting	Remark
1	Dimmer	000-255	0~100%	
2	Color Macro	000-005	No Function	
		006-013	C3050-Md Yellow	
		014-021	C3040-Lt Yellow	
		022-028	C3240-Amb Yellow	
		029-035	C2340-VLt Amber	
		036-043	C2040-Lt Amber	
		044-051	C2050-Md Amber	
		052-059	C2060-Dk Amber	
		060-067	C1050-Lt Red	
		068-075	C1080-Md Red	
		076-083	C1020-NC Pink	
		084-091	C1030-Md Pink	
		092-099	C1630-Dk Pink	
		100-107	C1250-Md Red Amber	
		108-115	C1060-Dk Red Amber	
		116-121	C1650-Magenta	
		122-130	C6170-Dk Magenta	
		131-138	C6020-Lt Lavender	
		139-146	C5030-Lt Blue	
		147-154	C5020-VLt Blue	
		155-162	C5430-Lt Blue2	
		163-170	C5070-Blue	
		171-178	C5050-Md Blue	
		179-186	C5060-Dk Blue	
		187-194	C5690-Indigo	
		195-202	C5080-VDk Blue	
		203-210	C5081-VdK Blue2	
		211-218	C4370-Yel Green	
		219-226	C4070-Green	
		227-234	C4550-Turquoise	
		235-242	C4560-Aqua	
		243-250	C4570-Blue Green	
		251-255	No Function	
		000-005	No Function	
		006-013	2800K - 2900K	
		013-020	2900K - 3000K	
		020-027	3000K - 3100K	
		027-034	3100K - 3200K	
		034-041	3200K - 3300K	
		041-048	3300K - 3400K	
		048-055	3400K - 3500K	
		055-062	3500K - 3600K	
		062-069	3600K - 3700K	
		069-076	3700K - 3800K	